



EV9608-10

# 2JT Flushing/Sanitizing Cartridge

Ultimate flushing tool for Everpure systems



4JT Cartridge: EV9608-00

2JT Cartridge: EV9608-10

## BENEFITS

The preferred way to introduce ScaleKleen™ scale remover or other sanitizing agents, such as bleach into all water-using appliances and vending machines

Fits into existing Everpure filter heads

Eliminates the need for difficult component disassembly

It's an easy and convenient tool to help you clean and maintain your equipment

Approved by NAMA

## INSTALLATION TIPS

This cartridge must be installed and used according to the Installation and Use instructions provided with the product

## OPERATION TIPS

For use in Everpure quick change filter heads

## APPLICATION/SIZING

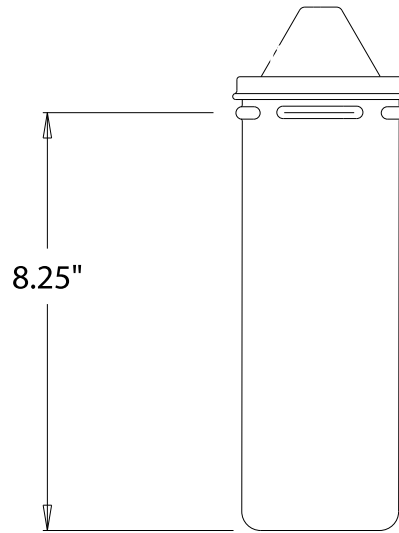
Model 4JT can size is 14.5 inches in length

Model 2JT can size is 10.25 inches in length

# 2JT Flushing/Sanitizing Cartridge

## SPECIFICATIONS

Overall Dimensions:  
10.25"H x 3.25"Diameter



## WARRANTY

Everpure water treatment systems (excluding replaceable elements) are covered by a limited warranty against defects in material and workmanship for a period of five years after date of purchase. Everpure replaceable elements (filter cartridges and water treatment cartridges) are covered by a limited warranty against defects in material and workmanship for a period of one year after date of purchase. See printed warranty for details. Everpure will provide a copy of the warranty upon request.

**EVERPURE**<sup>®</sup>

*Worldwide Headquarters:*  
EVERPURE, LLC  
1040 Muirfield Drive  
Hanover Park, Illinois 60133  
Toll Free (800) 323-7873  
Tel (630) 307-3000  
Fax (630) 307-3030  
<http://www.everpure.com>

*In Europe:*  
Pentair Water Belgium B.V./B.A.  
Industriepark Wolfstee  
Toekomstlaan 30  
B- 2200 Herentals  
BELGIUM  
TEL: +32.(0).14.283.500  
FAX: +32.(0).14.283.505

*In Japan:*  
Hashimoto MN Bldg. 7F  
3-25-1 Hashimoto Sagami-hara-Shi  
Kanagawa 229-1103  
JAPAN  
TEL: 81.(0)42.775.3011  
FAX: 81.(0)42.775.3015