

Model 401 Media Installation

⚠ CAUTION

Turn off furnace/air conditioner blower before servicing. This media is not to be used in the Model 5000 Electronic Air Cleaner.

Step 1: Remove the door
(See Figure 1).

Step 2: Slide out inner assembly
by pulling handle.

Step 3: Place inner assembly on
flat surface so pleat spacers
are visible (See Figure 2).

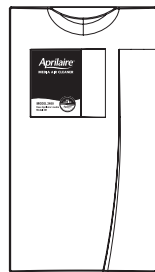


Figure 1

Step 4: Open both end panels by pressing buttons labeled
“PRESS TO OPEN” (See Figure 2).

Step 5: Remove pleat spacers
by rotating and lifting
both ends
(See Figure 2).

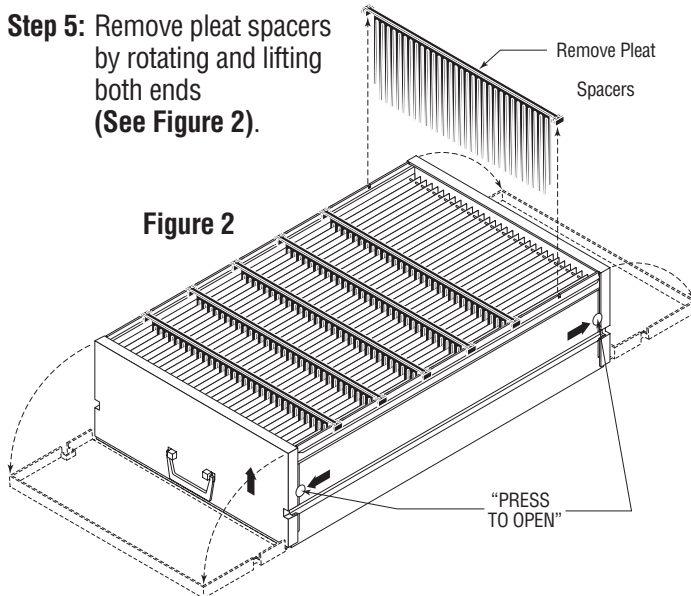


Figure 2

Step 6: Open both hinged flaps by lifting along entire edge
labeled “LIFT HERE” (See Figure 3).

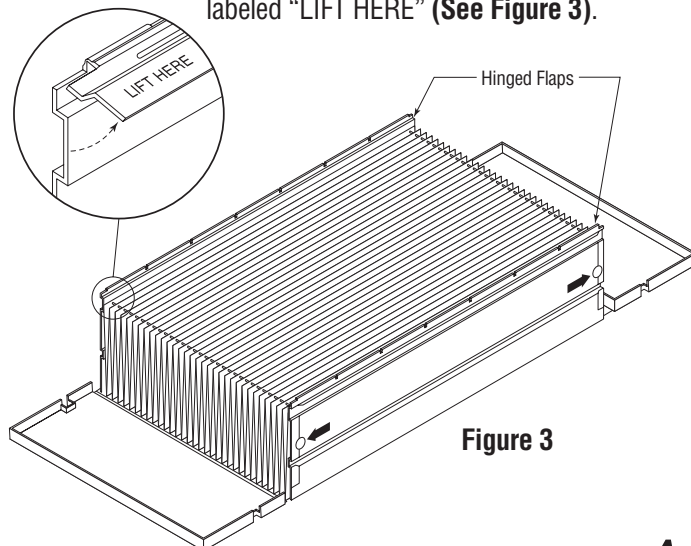


Figure 3

Step 7: Lift media from inner assembly and discard media.

Step 8: Place one cardboard
edge of new media
over the hooks on
the inner housing
and through the slots
in the cardboard
(See Figure 4).

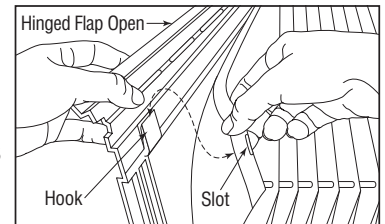


Figure 4

Step 9: Expand media and
place the other cardboard
edge over the opposite hooks.

Step 10: Close hinged flaps by snapping them in place.

Step 11: With media pleats evenly spaced, rest first pleat
spacer on yarn at either end, then carefully insert one
pleat spacer finger
into each pleat
(See Figure 5).

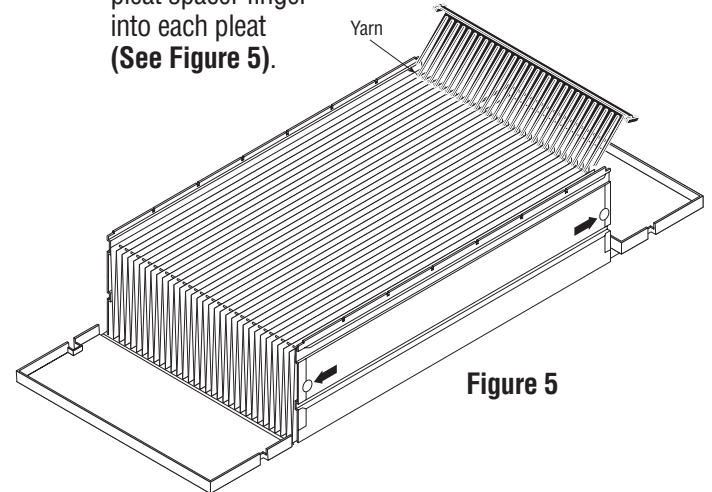


Figure 5

Step 12: Position pleat spacer to align with notches on inner
assembly. Use first pleat spacer as a guide for
inserting remaining pleat spacers.

Step 13: Snap pleat spacers down into the inner assembly.

Step 14: Close end panels by folding up and snapping into place.

Step 15: Slide inner assembly in outer housing.

Step 16: Replace door.

Step 17: Return power to furnace/air conditioner.

Aprilaire[®]
Feel Good. Inside.™